

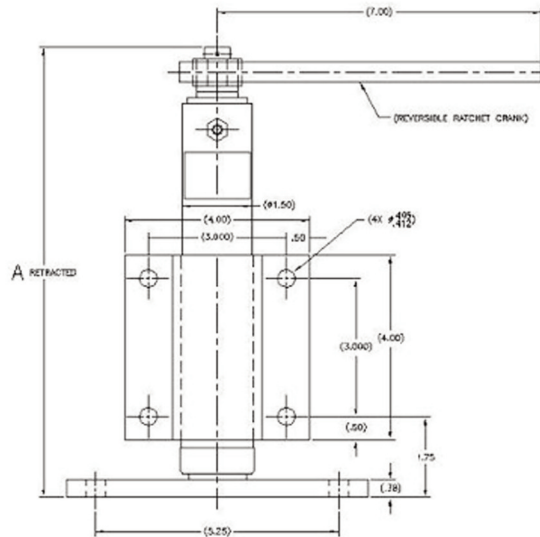
31068 SERIES JACKS

500 lb. Capacity/Fixed Pad
Basic Data

1. 6 revs. Input for 1 in. of stroke
2. 500 lb. max operating load, compression
3. 1,500 lb. maximum static compression to yield
4. Approx. 80 in. lb. torque input at maximum operating load
5. Furnished with 6 in. crank as shown

Custom Build and Design

We can build Caster Jacks to your specific requirements. Our experienced Engineering and Sales departments will help you design a jack to your exacting specifications.



Click on the illustration to view a PDF CAD drawing

Max. Caster Height	Max. Offset	Bolt Hole Spacing	Bolt Hole Diameter
10.312	2.5	3.375 x 5.25	.50

P/N	Stroke	A Dimension	Weightless Casters (lb.)	*Side Load (lb.)
31068-3	3	9.75	5	700
31068-6	6	12.75	7	550
31068-9	9	15.75	9	350
31068-12	12	18.75	11	350
31068-18	18	24.75	14	250

Note: *Maximum Static Load to Yield, combined with maximum operating load. Unit must be securely fixed at mounting point of jack side plate to frame member.

